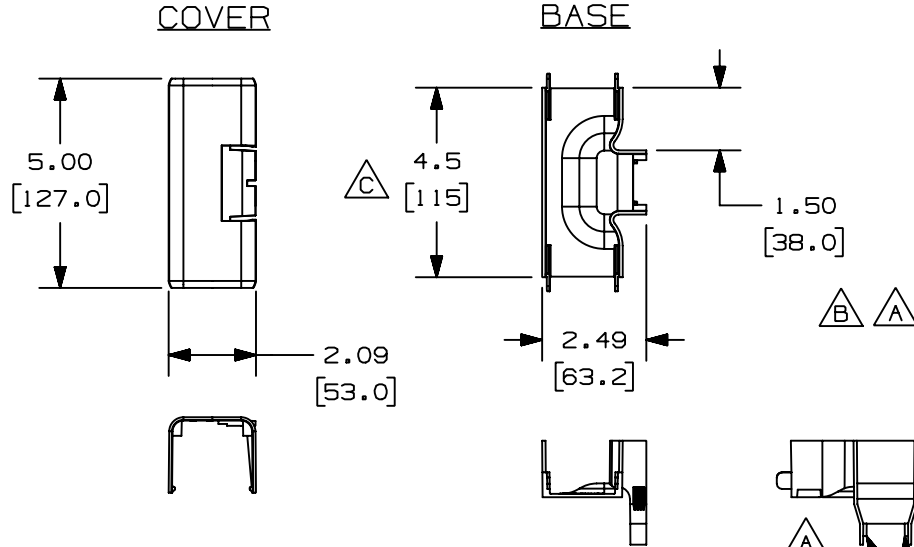


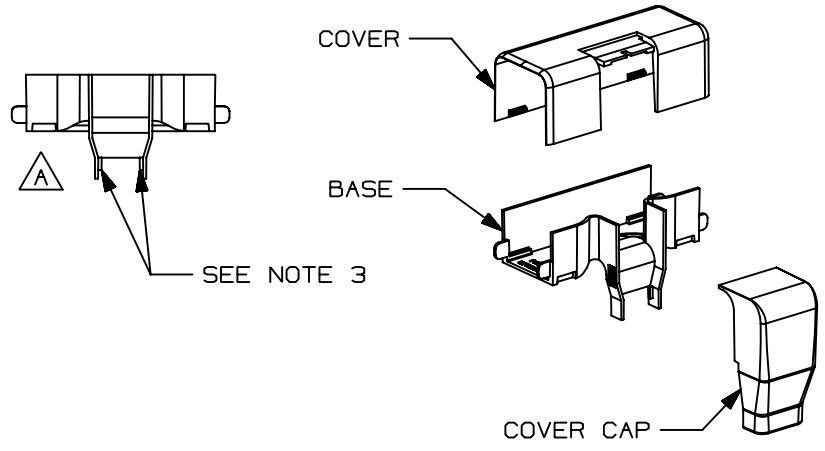
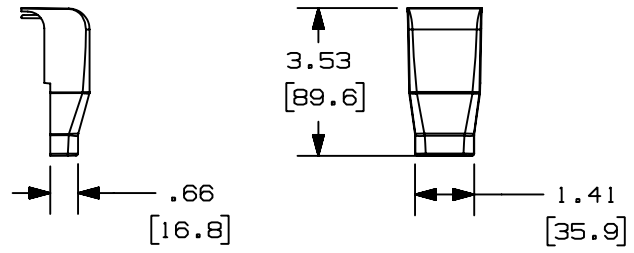
THIS COPY IS PROVIDED ON A RESTRICTED BASIS AND IS NOT TO BE USED IN ANY WAY DETRIMENTAL TO THE INTERESTS OF PANDUIT CORP.



PANDUIT PART NO.	WEIGHT
OFR2050	.235 lbs (106.6 g)

- NOTES:
- SEE CURRENT CATALOG FOR ADDITIONAL PART NUMBER SUFFIXES TO INDICATE COLOR AND/OR PACKAGE QUANTITY.
  - DIMENSIONS IN PARENTHESES ARE IN METRIC.
  - TAB STOPS ARE USED TO POSITION VERTICAL RACEWAY (OFVR5).

COVER\_CAP



CAD FILENAME/LAYERS D38500BD\_DC\_OFR2050\_00E.PRT

PANDUIT CORP. TINLEY PARK, ILLINOIS  
OFFICE FURNITURE  
SPILL-OVER FITTING (OFR2050)  
CUSTOMER DRAWING

REV	DATE	BY	CHK	DESCRIPTION	ECN	CHK	CUST	SUP
4	02-16-05	JHEP	RMHI	C. REVISED DIMENSION	38500-04	RGR0	RGR0	
3	02-08-05	JBN	RMHI	B. REVISED NOTE 3	38500-04	RGR0	RGR0	
2	07-15-03	JHEP	RMHI	A. ADDED VIEW AND CORRESPONDING NOTE	38500-04	RGR0	RGR0	
1	04-28-03	JBN	RMHI	RELEASED TO PRODUCTION	38500-04	RGR0	RGR0	
R	03-20-03	JBN	RMHI	DRAWING RELEASED				

UNLESS OTHERWISE SPECIFIED, DIMENSIONAL TOLERANCES ARE: (.X) ± (.XXX) ± (.XX) ± .03 (.8) ANGLES ±		UNLESS OTHERWISE SPECIFIED, ALL DIMENSIONS ARE GIVEN IN INCHES, THIRD ANGLE PROJECTION.	
DRAWN BY JBN	MAT'L: PVC	SCALE NONE	
DATE 03-20-03		DRAWING NO. 38500-04	DWG A
CHK'D RMHI			SIZE